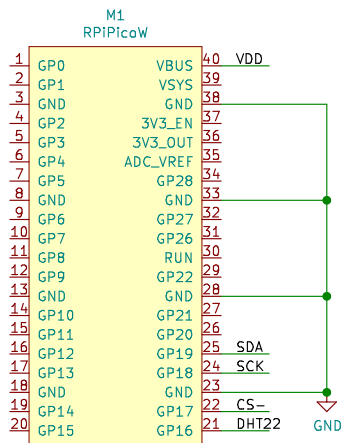
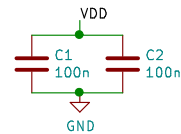
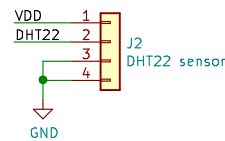
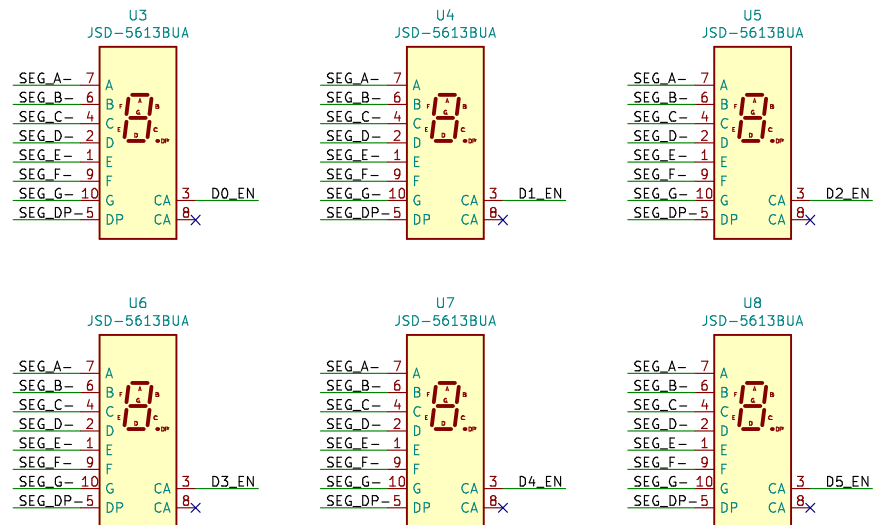
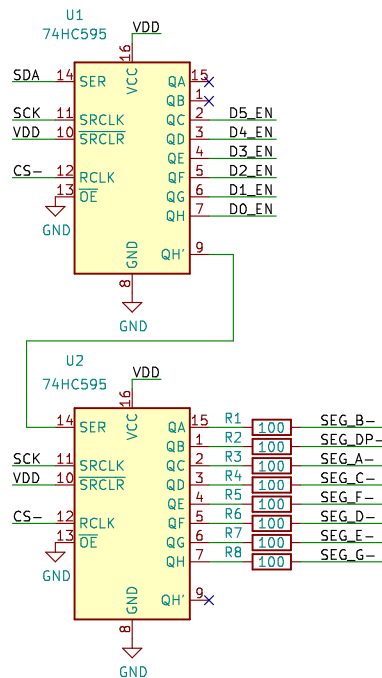
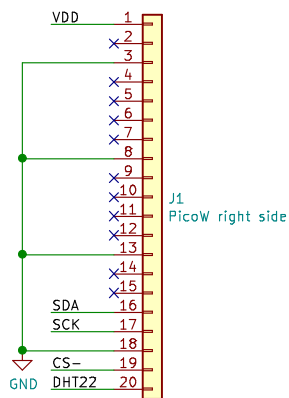


PicoW powered by MicroUSB, powering rest of the system via VBUS 5V output.



A single 20-pin socket header is enough to mount the PicoW, as all connections are on one side. Mirrored direction due to placement on the backside.



WiFi-clock
<https://tomscii.sig7.se/wifi-clock>

Sheet: /
 File: wifi_clock.sch

Title:

Size: A4	Date:	Rev:
KiCad E.D.A.	kiCad 5.1.9+dfsg1-1+deb11u1	Id: 1/1